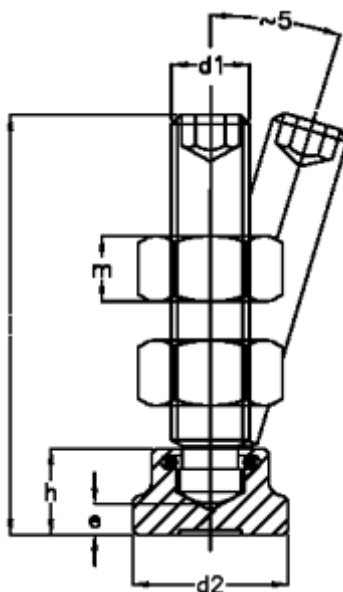


Article number: 20940694A

Description: E+G Clamping bolt
GN 802-M12-85

Measures



d1 = M12

d2 = 25

e = 4,5

h = 13

l1 = 85

m = 10.8